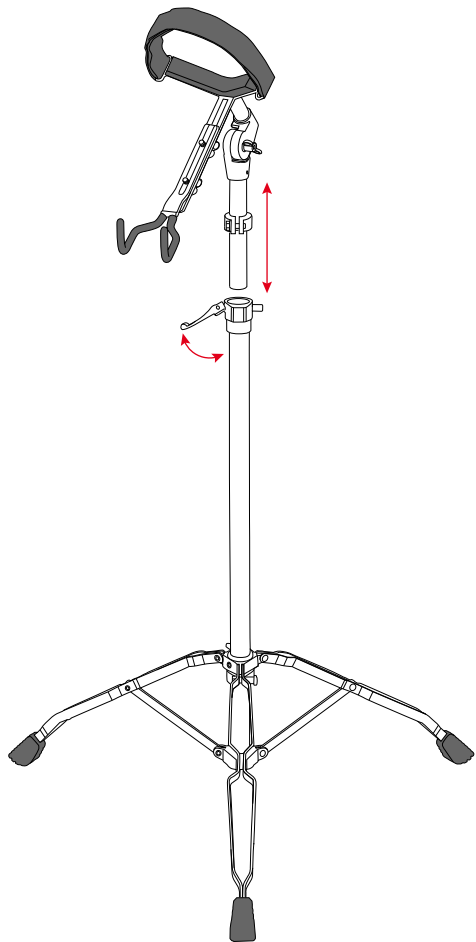




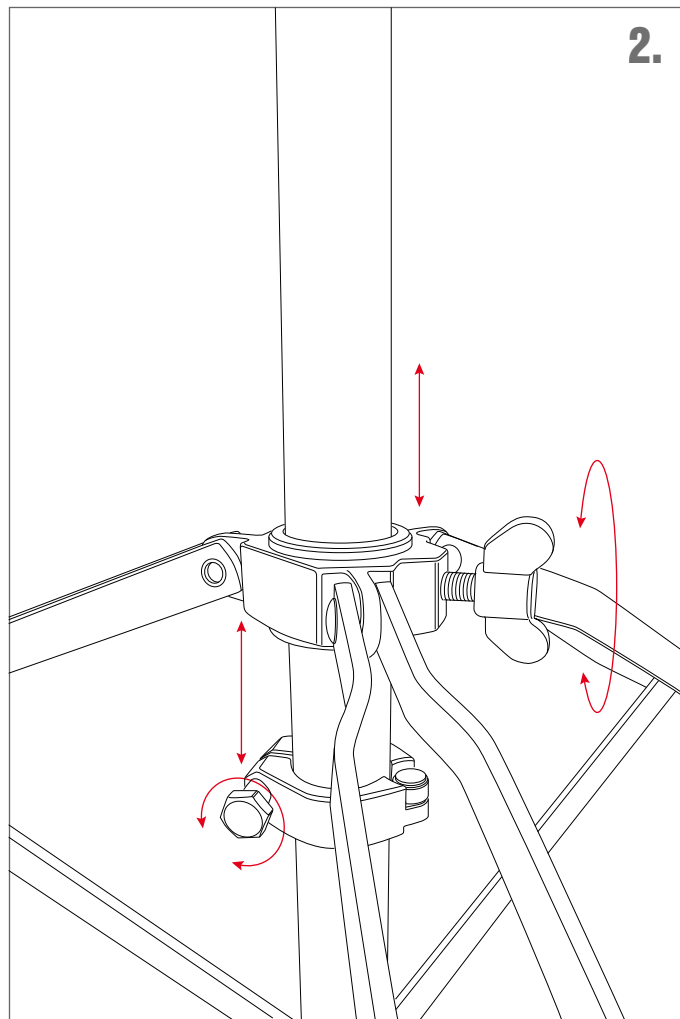
ASSEMBLY INSTRUCTION

PROFESSIONAL DJEMBE STAND TMD

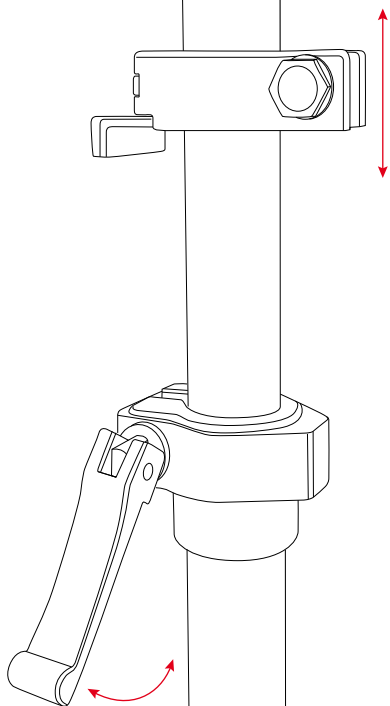
1.



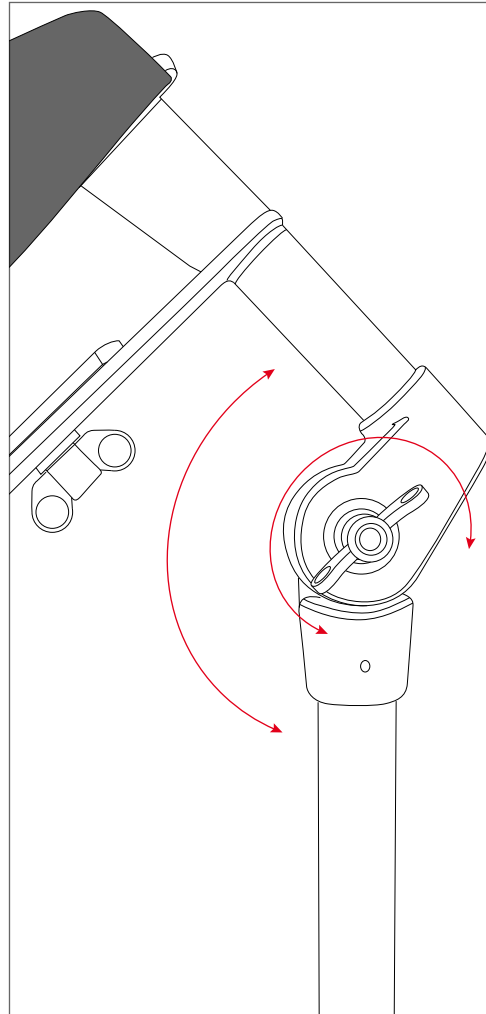
2.



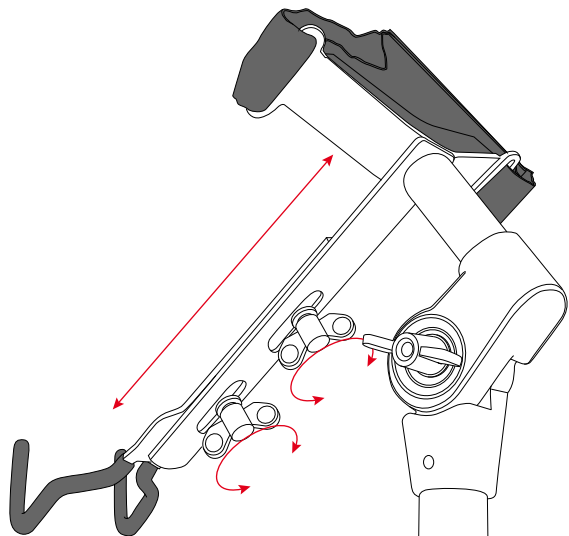
3.



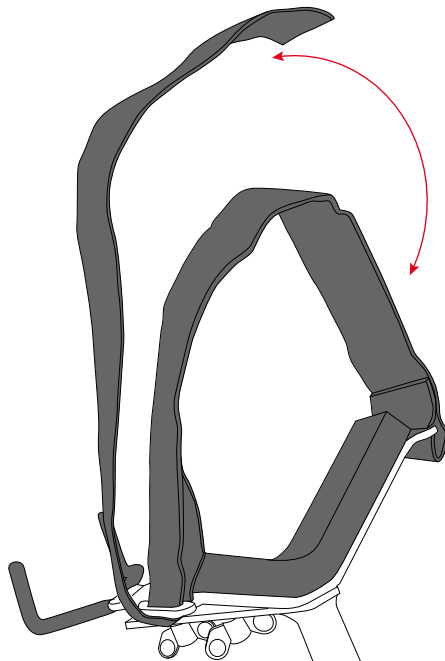
4.

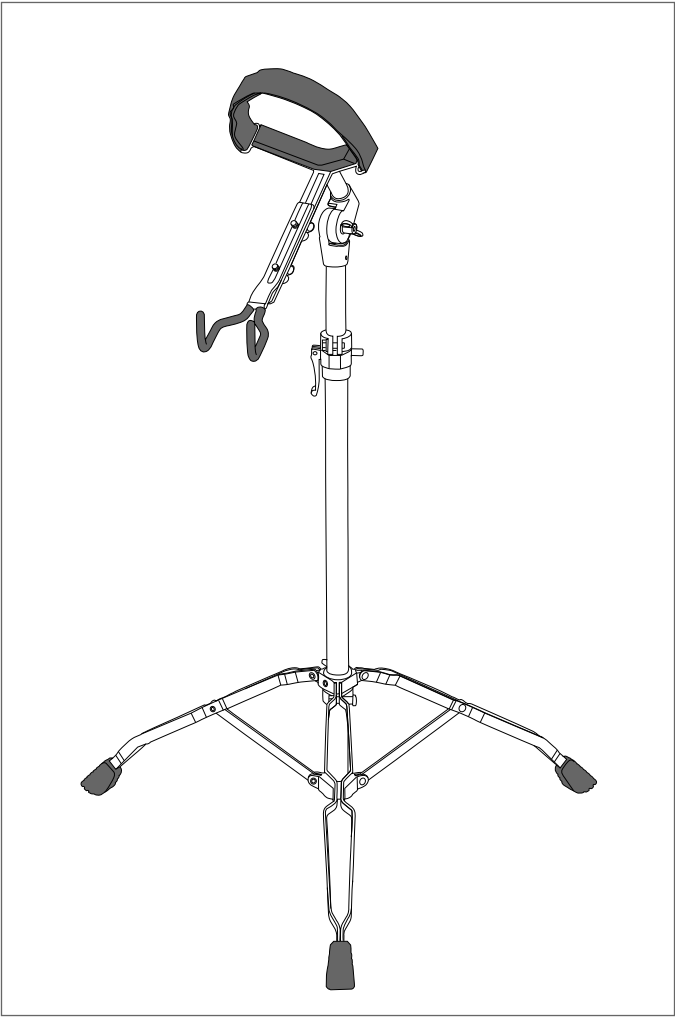


5.



6.







PROFESSIONAL DJEMBE STAND

TMD

The MEINL Djembe Stand was designed to firmly hold any djembe in the traditional playing position. A nylon strap is secured around the drum and two rubber padded u-shaped hooks slide into the bottom of the shell. It can be angled, and is fully height adjustable.

- Rubber padded hooks
- Fully height- and angle adjustable
- Double braced tripod legs

Roland Meinl Musikinstrumente GmbH & Co. KG
Musik-Meinl-Str. 1, 91468 Gutenstetten, Germany
info@meinlpercussion.com
meinlpercussion.com