

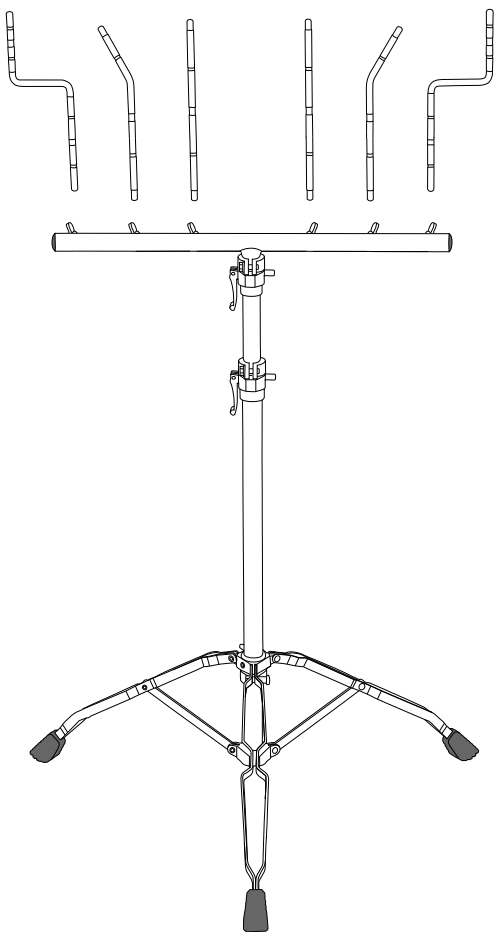


# **ASSEMBLY INSTRUCTION**

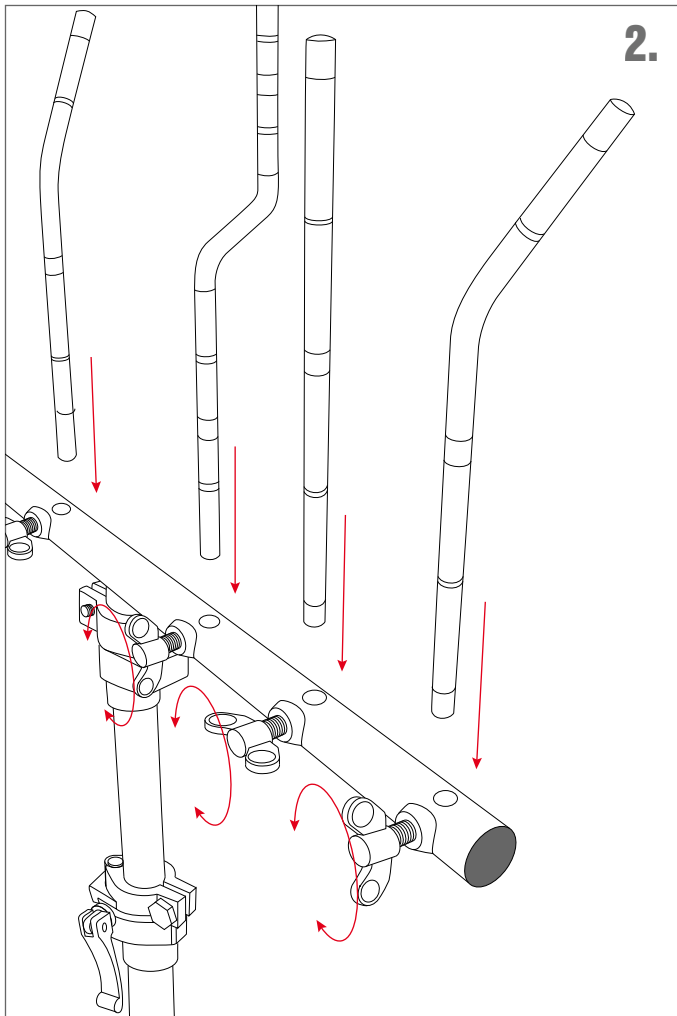
## **PERCUSSION STAND**

TMPS

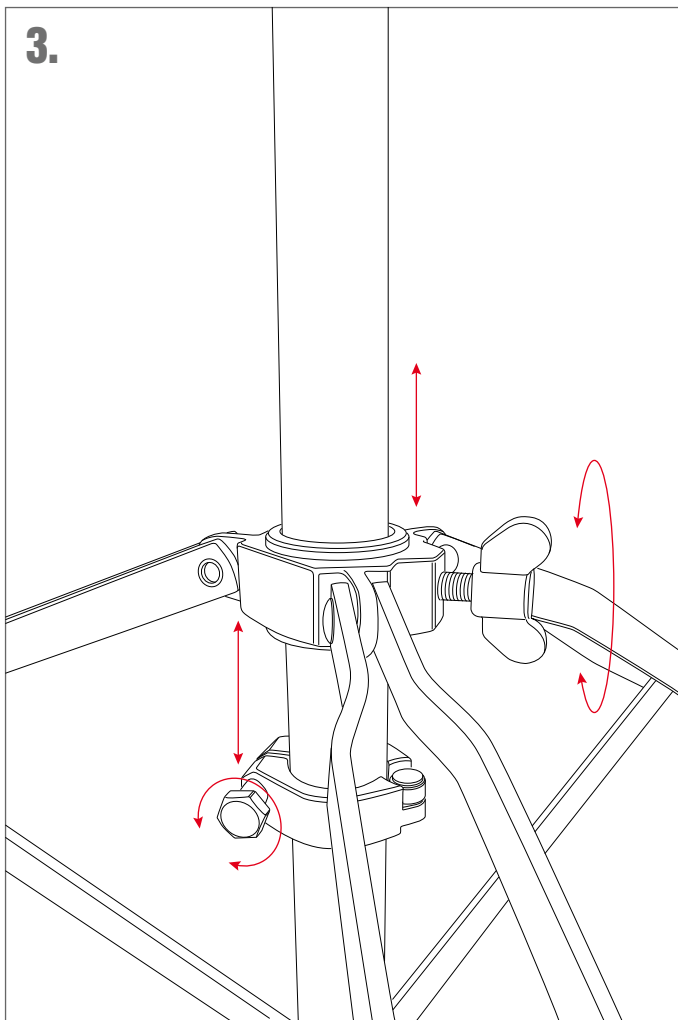
1.



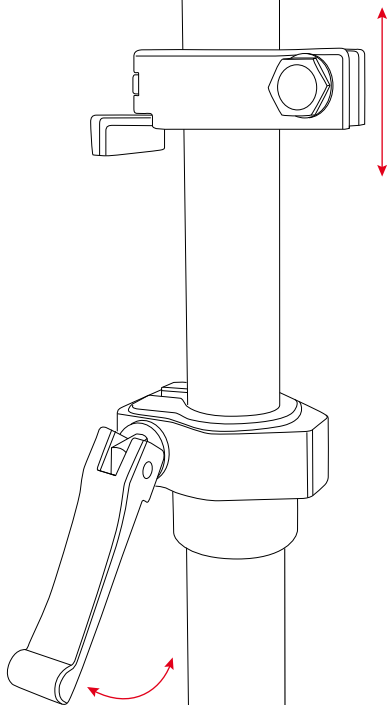
2.

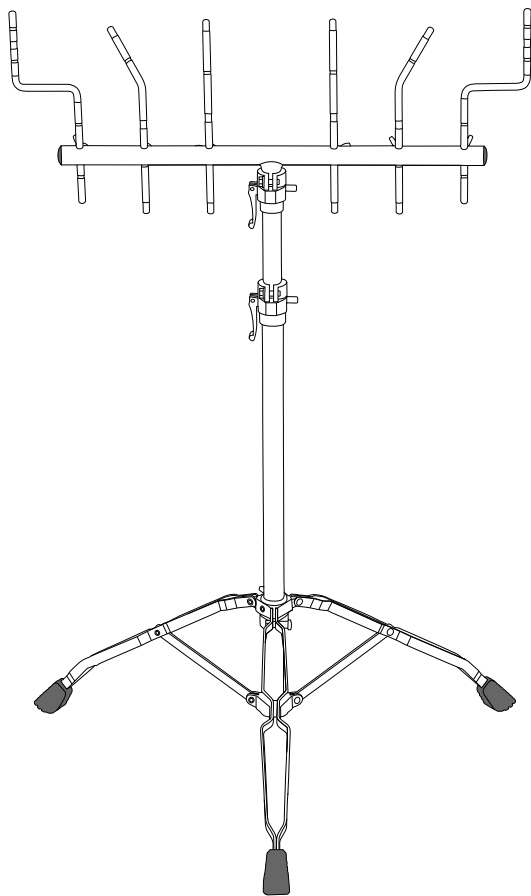


**3.**



4.









## PERCUSSION STAND

### TMPS

---

The MEINL Percussion Stand is a universal device which offers a variety of set up solutions for both drummers and percussionists. It is fully height adjustable and features both quick locks and memory locks for a quick set up.

- Height adjustable
- Double braced tripod legs
- 2 straight rods
- 2 angled rods
- 2 Z-shaped rods

---

Roland Meinel Musikinstrumente GmbH & Co. KG  
Musik-Meinel-Str. 1, 91468 Gutenstetten, Germany  
info@meinlpercussion.com  
**meinlpercussion.com**